

**150-LB LINEAR
ACTUATOR STEM™**



150-LB LINEAR ACTUATOR STEM™

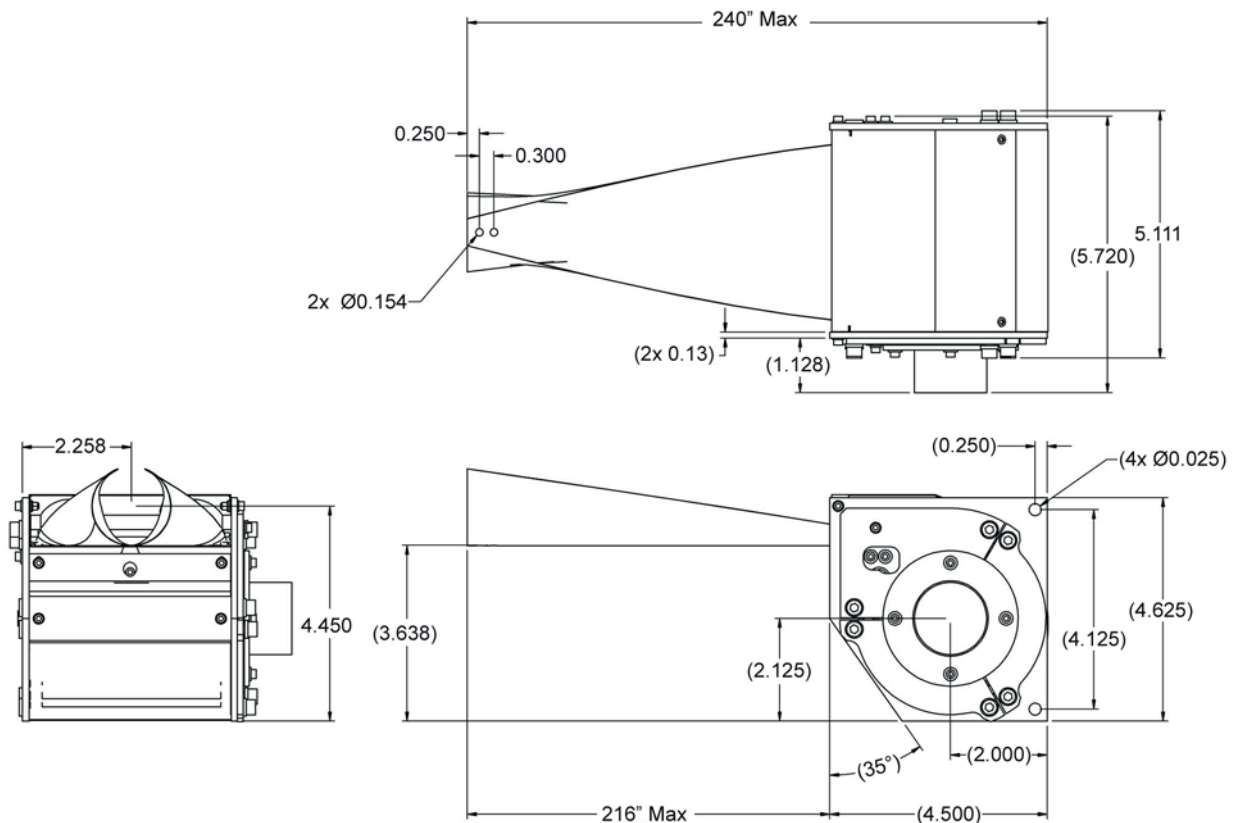
Description:

The 150-lb linear actuator STEM™ boom is a 1.34-inch-diameter boom that can be used as an antenna, linear actuator, grapple arm, gravity gradient boom, camera support, inspection aid, or as an actuator for deploying other structures such as antennas, solar arrays, masts, instrument benches, and sunshades. Hundreds of Astro's STEM™ and BI-STEM™ booms have flown on spacecraft since 1962.

Specifications

Performance

Total Weight	4.72 lb (Less STEM™)
STEM™ Boom Weight	0.008 lb/in
Length	22 ft shown (custom lengths available)
EI	163,000 lb-in ² (Stainless Steel)
Bending strength	1,300 lb-in
Stowed length	4.50 in
Stowed width	5.11 in (not including motor)
Stowed depth	4.75 in
Boom diameter	1.34 in
Deployment voltage	28 Vdc
Deploy current	0.33 A
Deployment Force	150 lb with 230 lb-in motor



Astro Aerospace
 Northrop Grumman
 Space Technology
 6384 Via Real
 Carpinteria, CA 93013-2920

Phone 805.684.6641
 FAX 805.684.3372
www.st.northropgrumman.com/astro-aerospace
 e-mail: astro-info@ngc.com