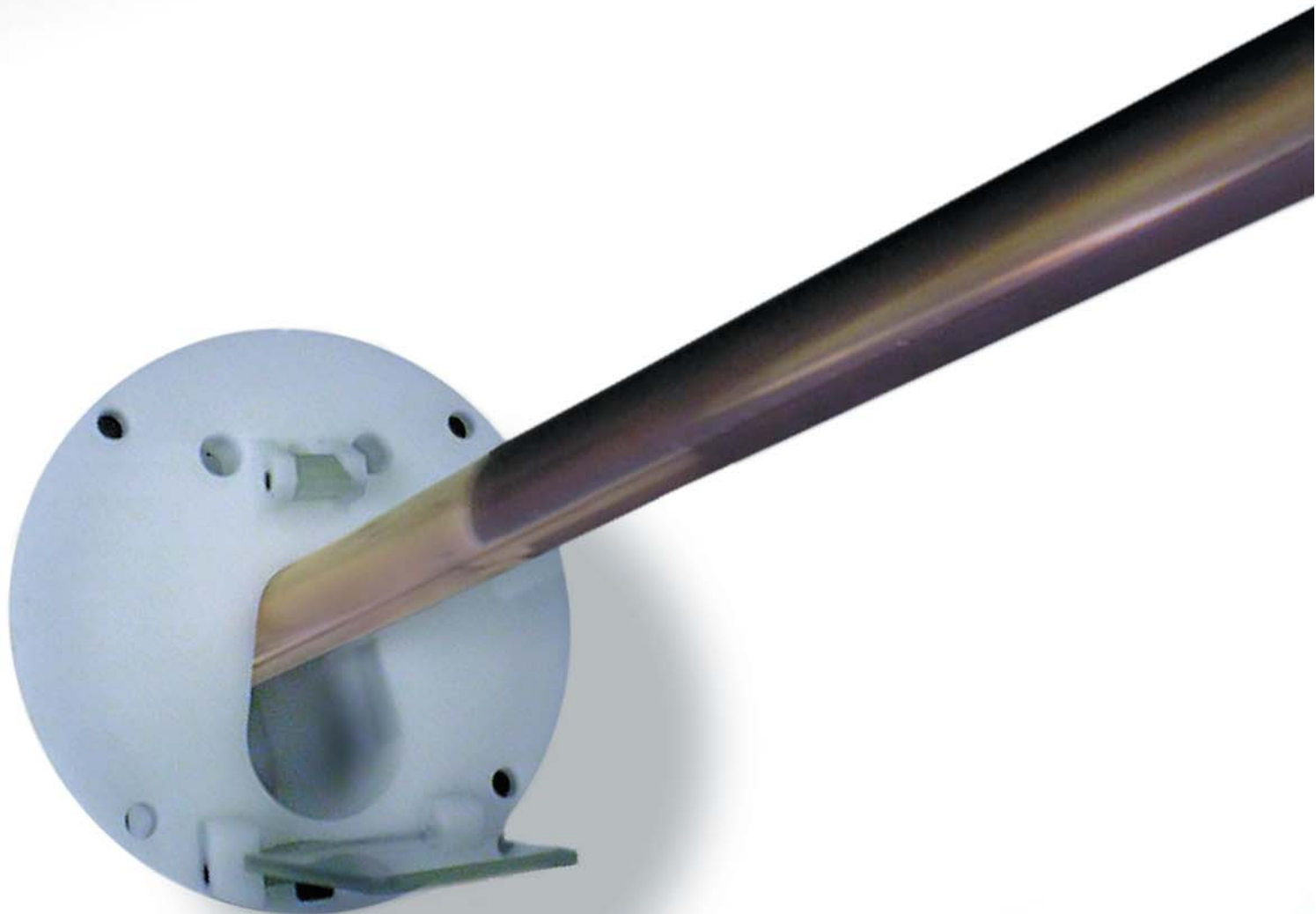


NORTHROP GRUMMAN

Space Technology

Astro Aerospace

STEM™ JIB ANTENNA



STEM™ JIB ANTENNA

The JIB is a self-deploying STEM™ (Storable Tubular Extendible Member) antenna designed specifically for spacecraft applications requiring simple, reliable performance in a small lightweight package.

The antenna self-deploys up to 10 feet in less than two seconds, using its own stored spring energy, and it is released by redundant retractable pyrotechnic actuators.

This unique product employs the STEM™ technology produced at Astro. STEM™ products have heritage on many space programs, since 1962, including manned programs, with a 100% record of success.

Space Applications

- HF, VHF, and UHF antennas
- Small spacecraft antennas
- Sounding rocket antennas

SPECIFICATIONS

Stowed Package

Diameter	3.25 in (83 mm)
Length	3.1 in (79 mm)

Antenna Deployed

Length	Up to 10 ft (Up to 3 m)*
Weight	0.5 lb max. (0.23 kg max.)

Antenna

Material	Beryllium Copper
Diameter	0.5 in (13 mm)
Thickness	0.002 in (0.05 mm)
Bending Strength	3 in-lb (0.34 Nm)
Bending Stiffness	2618 lb-in ² (7.5 Nm ²)
Element Weight	0.144 lb/ft (0.021 Kg/m)

Deployment Time

<2 sec

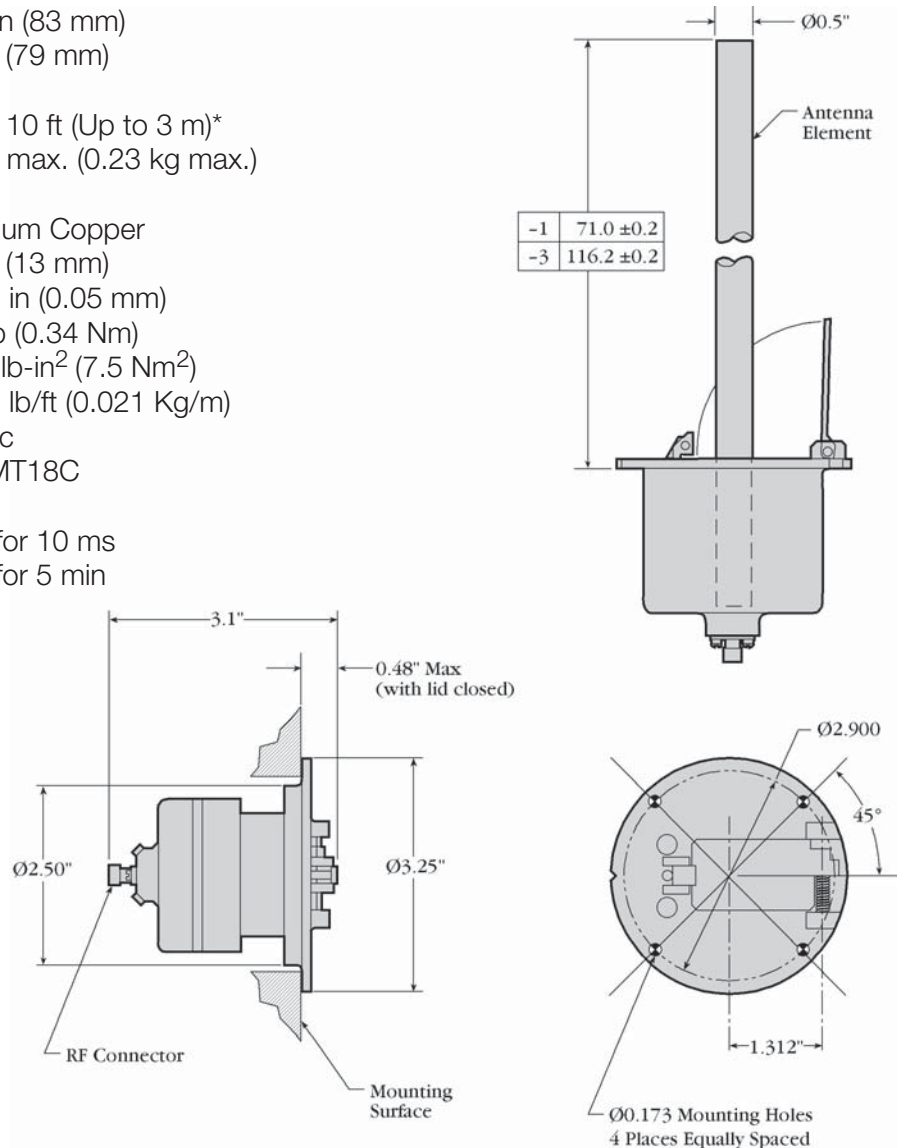
Lid Release

ICI 1MT18C

Release Power:

All Fire Current	1.0A for 10 ms
No Fire Current	0.1A for 5 min

*Custom lengths available



Astro Aerospace
 Northrop Grumman
 Space Technology
 6384 Via Real
 Carpinteria, CA 93013-2920

Phone 805.684.6641
 FAX 805.684.3372
 www.st.northropgrumman.com/astro-aerospace
 e-mail: astro-info@ngc.com